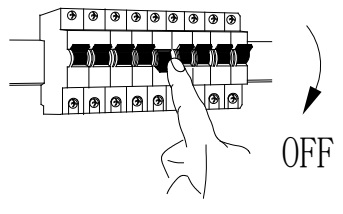
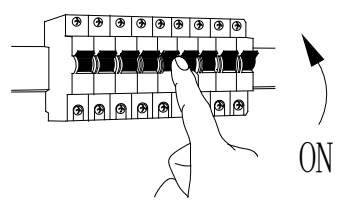
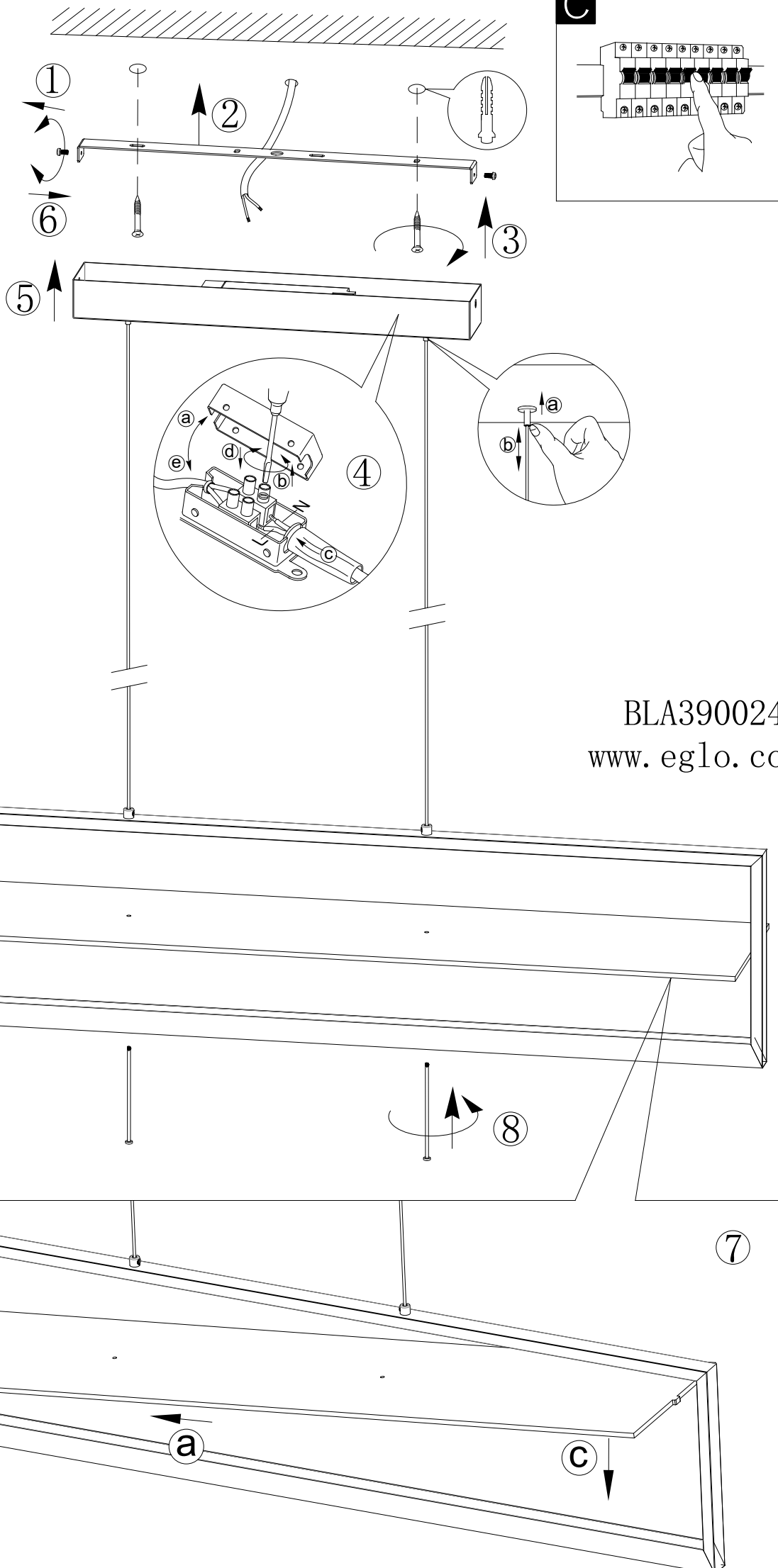


**A****C****B**

BLA390024  
www.eglo.com